

1	Rod latch systems
2	Quarter-turns
3	Hinges
4	Sealing profiles
5	Miscellaneous
6	Stainless

GRAB HANDLE

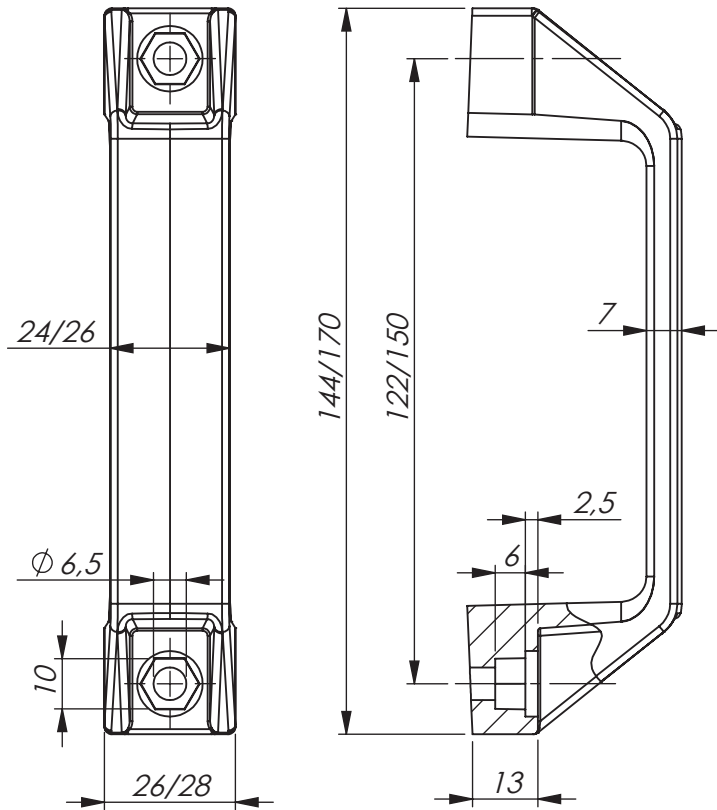
Grab handle for screw mounting from the inside.

MATERIAL:

Zinc die-cast, chrome plated or black coated.

GRAB HANDLE						
P/N	Description	A	B	b	H	h
571301	Chrome	95,5	85,0	12,0	20,0	8,5
571302	Chrome	81,0	72,0	11,0	18,0	8,0
571501	Black	95,5	85,0	12,0	20,0	8,5
571502	Black	81,0	72,0	11,0	18,0	8,0

- 1
Rod latch systems
- 2
Quarter-turns
- 3
Hinges
- 4
Sealing profiles
- 5
Miscellaneous
- 6
Stainless



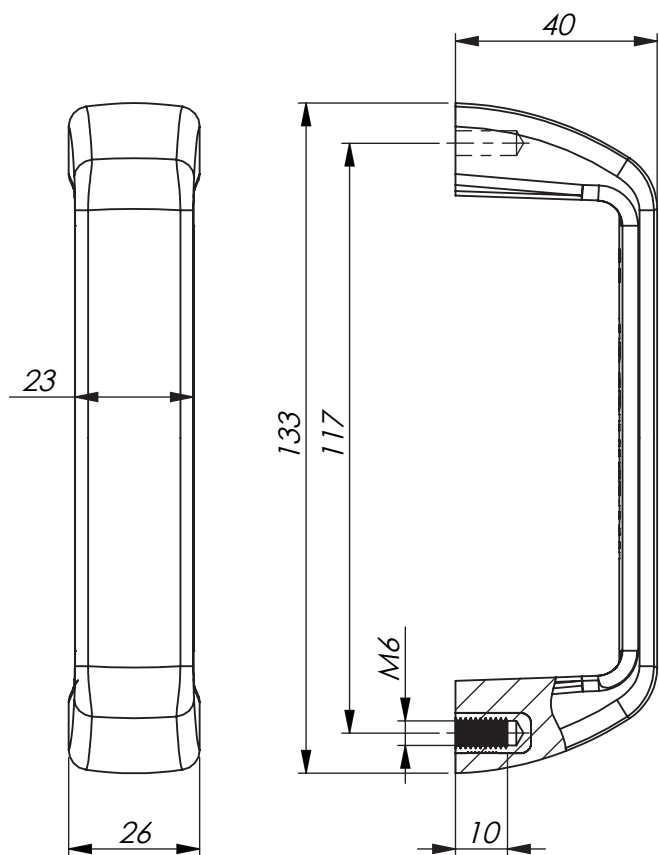
GRAB HANDLE

Grab handle to be mounted from the outside by using screws, or mounted from the inside by using screws and hexagon nuts in the recessed holes in the handle. Cover plug to be ordered separately. Screws and nuts not included.

MATERIAL:

Glass fibre reinforced polyamide (PA6), black.
Other colours on request.

GRAB HANDLE		
P/N	Description	C/C
575033	Grab handle, small	122
575035	Grab handle, big	150
575033-01	Cover plug (black) for above handles	-



- 1
Rod latch systems
- 2
Quarter-turns
- 3
Hinges
- 4
Sealing profiles
- 5
Miscellaneous
- 6
Stainless

GRAB HANDLE

Grab handle with cast-in brass M6-inserts for screw mounting from the inside.

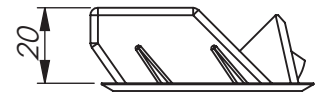
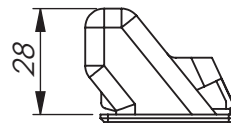
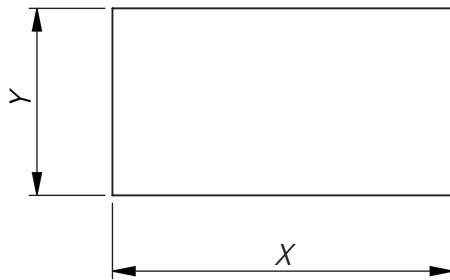
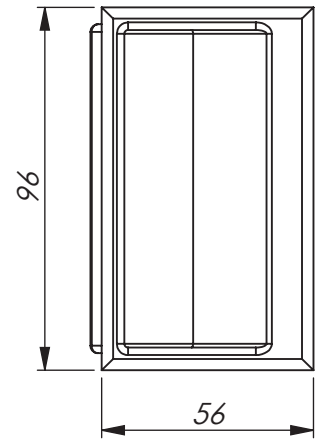
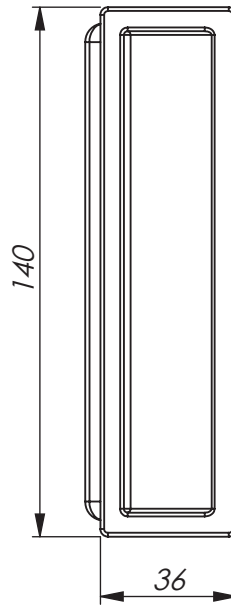
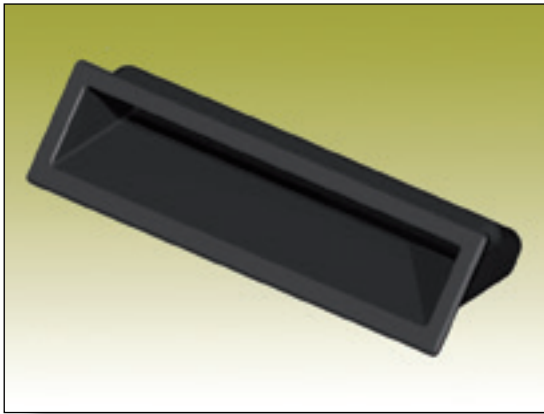
MATERIAL:

Handle: Glass fibre reinforced polyamide (PA6), black.
Insert: Brass.

Other colours on request.

GRAB HANDLE		
P/N	Description	C/C
575037	Grab handle	117

- 1
Rod latch systems
- 2
Quarter-turns
- 3
Hinges
- 4
Sealing profiles
- 5
Miscellaneous
- 6
Stainless



576050

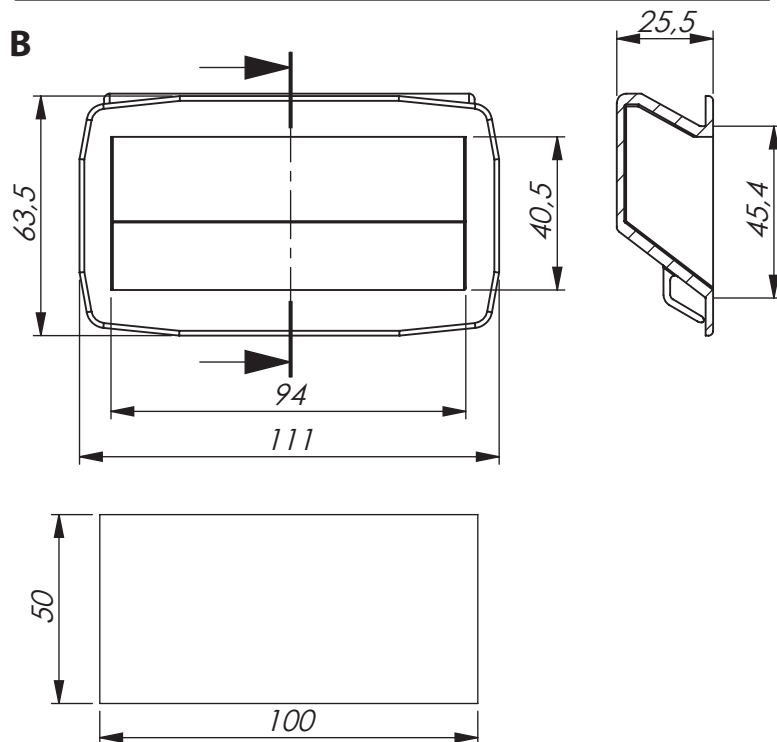
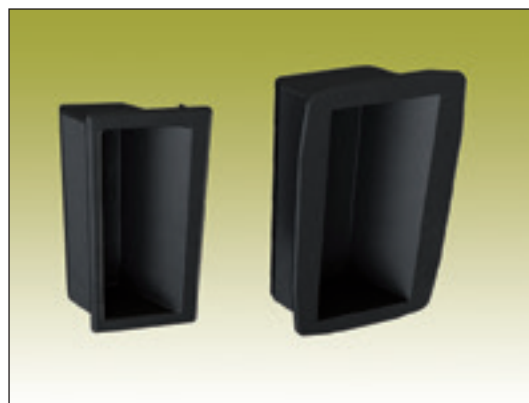
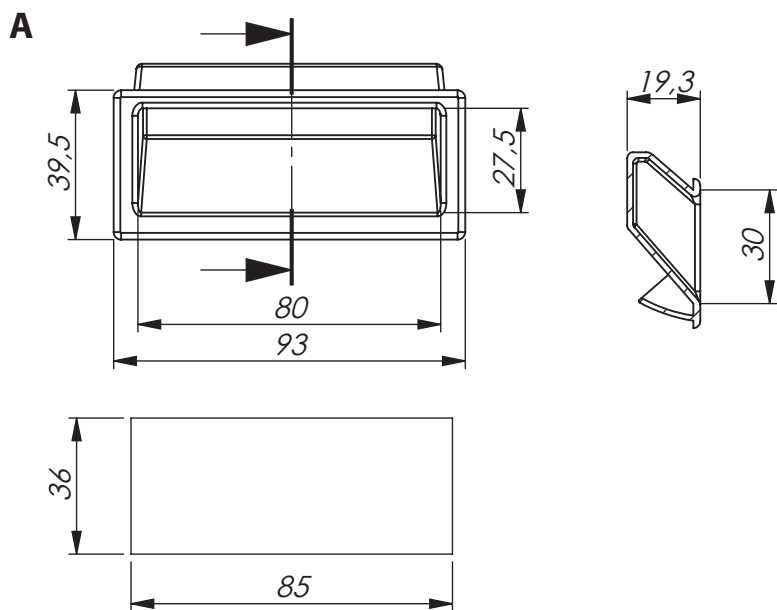
576051

FLUSH GRAB HANDLE

Grab handle for clip-in mounting.
T = Door thickness in millimeters.

MATERIAL:
Glass fibre reinforced polyamide (PA6), black.

FLUSH GRAB HANDLE				
P/N	Description	T	X	Y
576050	Flush grab handle	0,8-1,2	132	30,7
		1,2-1,5	132	31,7
576051	Flush grab handle	1,0	90	49,5



1	Rod latch systems
2	Quarter-turns
3	Hinges
4	Sealing profiles
5	Miscellaneous
6	Stainless

FLUSH GRAB HANDLE

Grab handles for clip-in mounting.

575004 (drawing A) suitable for door thickness 0,8-1,6 mm.
575005-01 (drawing B) suitable for door thickness 0,8-1,2 mm.
575005-02 (drawing B) suitable for door thickness 1,2-1,6 mm.

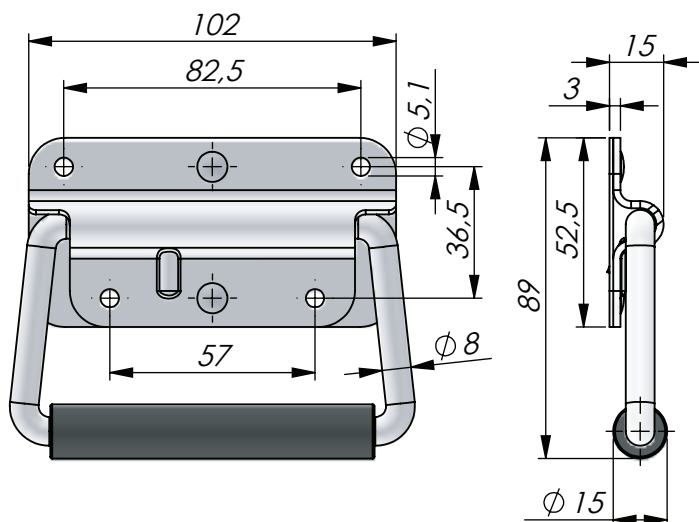
Other colors upon request.

T = Door thickness in millimeters.

MATERIAL:

Glass fibre reinforced polyamide (PA6), black.

FLUSH GRAB HANDLE			
P/N	Description	T	Drawing
575004	Flush grab handle - rectangular	0,8 - 1,6 mm	A
575005-01	Flush grab handle - rounded	0,8 - 1,2 mm	B
575005-02	Flush grab handle - rounded	1,2 - 1,6 mm	B



- 1
Rod latch systems
- 2
Quarter-turns
- 3
Hinges
- 4
Sealing profiles
- 5
Miscellaneous
- 6
Stainless

SPRING LOADED HANDLE

Spring loaded surface mounted handle. Handle part is covered with durable PVC.

MATERIAL:

Inner plate: Stainless steel.

Outer plate and handle: Steel, zinc plated.

Grip: PVC.

SPRING LOADED HANDLE	
P/N	Description
572103	Spring handle

