

Opening angle



Universal LH / RH



Adjustable 10 mm

## ADJUSTABLE CONCEALED HINGE - 100° OPENING ANGLE

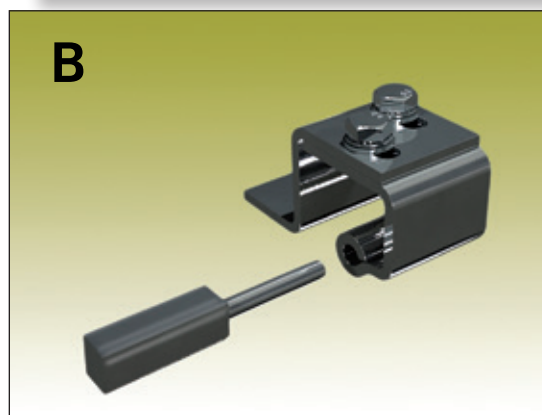
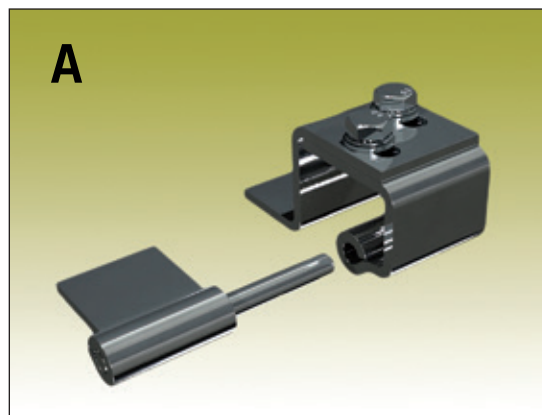
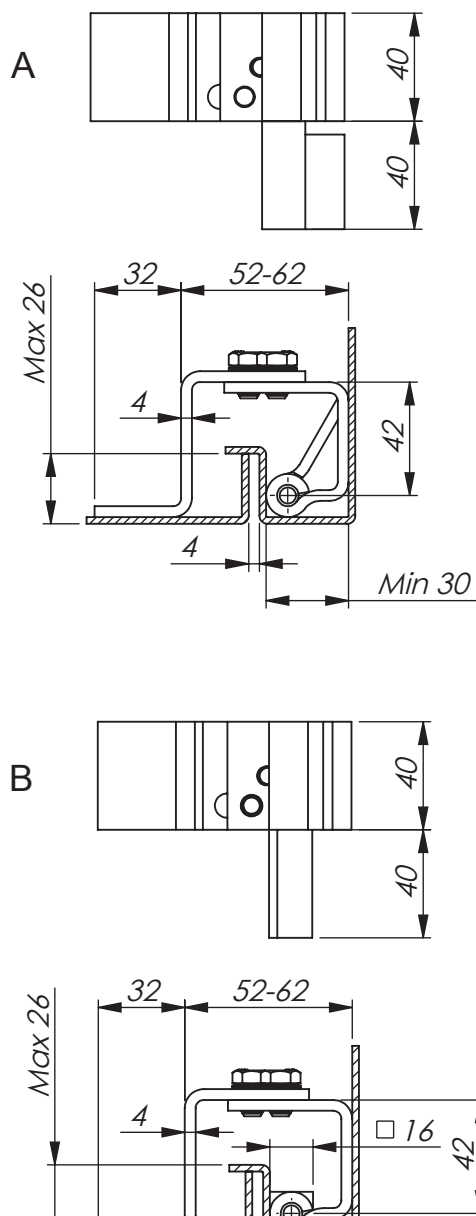
Adjustable concealed hinge for weld-on mounting. Universal left and right mounting. Opening angle 100°. Door part adjustable 10 mm horizontally.

### MATERIAL:

Door-part, Z-shaped: Steel, zinc plated.  
Door part, rolled: Steel, unplated. (For welding.)  
Frame part: Steel, unplated. (For welding.)  
Screw, nut and pin: Steel, zinc plated.

### ADJUSTABLE CONCEALED HINGE - 100° OPENING ANGLE

P/N	Material
312101	Steel



Opening angle



Adjustable 6 mm



Lift off



Universal LH / RH

## ADJUSTABLE CONCEALED HINGE - 100° OPENING ANGLE

Adjustable concealed hinge for weld-on mounting. Universal left and right mounting. Opening angle 100°. Door part adjustable 6 mm horizontally. Frame part may be supplied as either a flag or a square pin.

Stainless version: Page 6-300.

### MATERIAL:

Door-part, Z-shaped: Steel, zinc plated.  
Door part, rolled: Steel, unplated. (For welding.)  
Frame part with pin: Steel, unplated. (For welding.)  
Screws and nuts: Steel, zinc plated.

### ADJUSTABLE CONCEALED HINGE - 100° OPENING ANGLE

P/N	Frame part	Image
312102	Flag	A
312103	Square pin	B

1 Rod latch systems

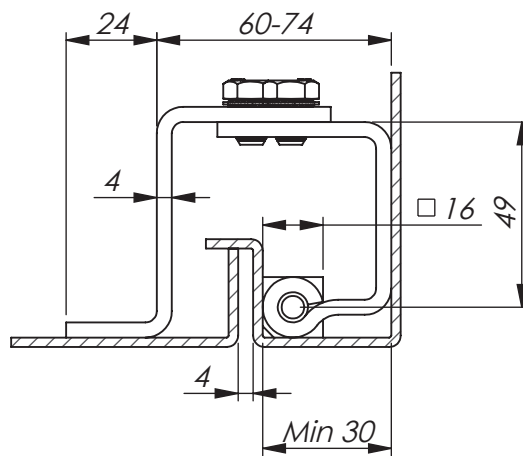
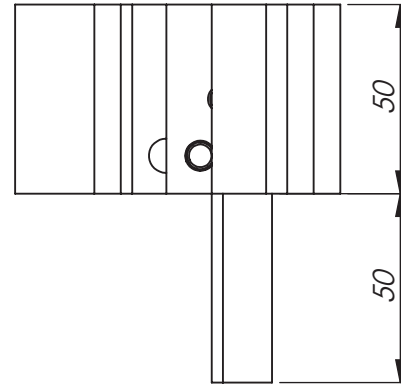
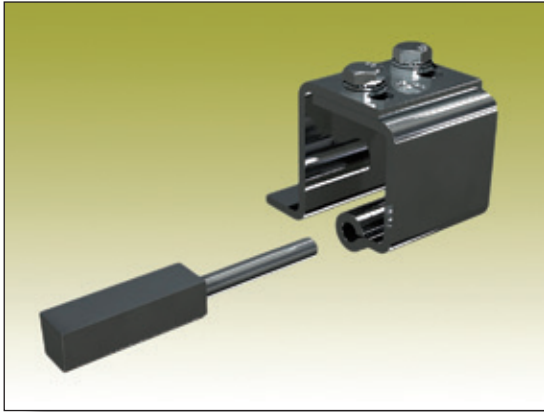
2 Quarter-turns

3 Hinges

4 Sealing profiles

5 Miscellaneous

6 Stainless



Opening angle



Adjustable 6 mm



Lift off



Universal LH / RH

## ADJUSTABLE CONCEALED HINGE - 100° OPENING ANGLE

Adjustable concealed hinge for weld-on mounting. Universal left and right mounting. Opening angle 100°. Door part adjustable 10 mm horizontally. Frame part shaped as a square pin.

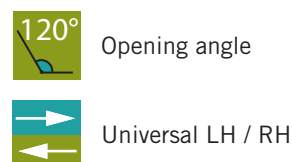
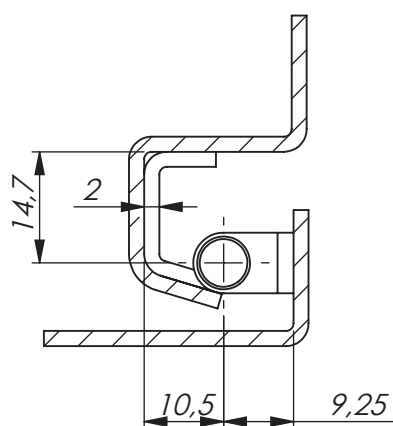
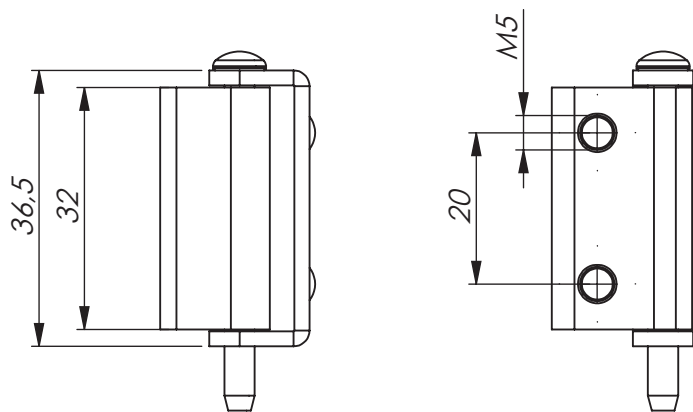
### MATERIAL:

Door-part, Z-shaped: Steel, zinc plated.  
Door part, rolled: Steel, unplated. (For welding.)  
Frame part with pin: Steel, unplated. (For welding.)  
Screw and nut: Steel, zinc plated.

### ADJUSTABLE CONCEALED HINGE - 100° OPENING ANGLE

P/N	Material
312105	Steel

1 Rod latch systems  
2 Quarter-turns  
3 Hinges  
4 Sealing profiles  
5 Miscellaneous  
6 Stainless



1	Rod latch systems
2	Quarter-turns
3	Hinges
4	Sealing profiles
5	Miscellaneous
6	Stainless

## CONCEALED HINGE - 120° OPENING ANGLE

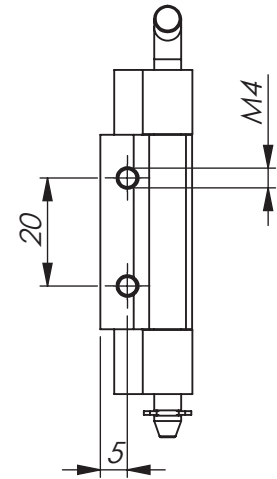
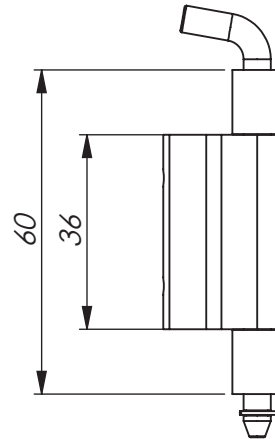
Concealed hinge. Frame part for screws or weld-on mounting. Door part with welding warts for press welding. Opening angle 120°. Universal left and right mounting.

Stainless version: Page 6-308.

**MATERIAL:**

Frame part: Steel, zinc plated.  
Door part: Stainless steel (304).  
Pin: Steel, zinc plated.

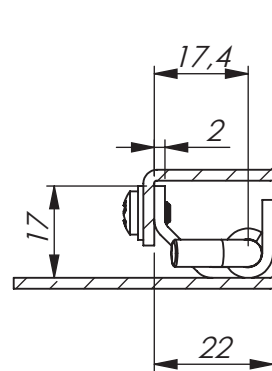
CONCEALED HINGE - 120° OPENING ANGLE	
P/N Steel	Description
312118	Concealed hinge



Opening angle



Universal LH / RH



## CONCEALED HINGE - 120° OPENING ANGLE

Concealed hinge for mounting inside externally mounted doors.

Universal left and right mounting. Opening angle 120°. Weld-on and screw mounting in combinations according to table.

E-clip to be ordered separately.

Stainless version: Page 6-310.

### MATERIAL:

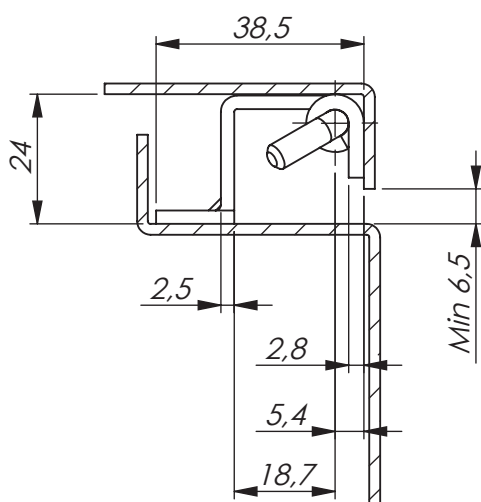
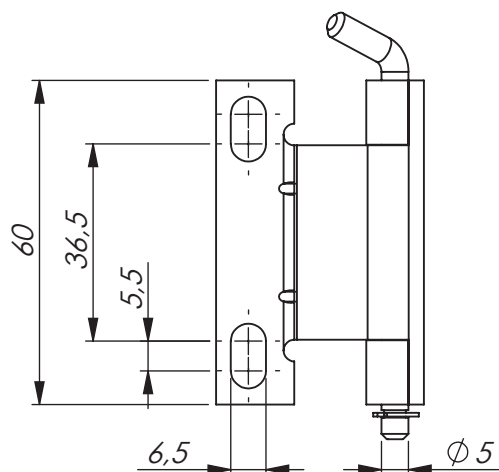
Frame part and pin: Steel, zinc plated.

Door part: Steel unplated.

\* Unplated.

### CONCEALED HINGE - 120° OPENING ANGLE

P/N	Description	Material	Door part	Frame part
312106	Concealed hinge	Steel	Weld-on *	Weld-on *
312107	Concealed hinge	Steel	Weld-on *	Screw
062193	E-clip	Steel	-	-



Opening angle



Universal LH / RH



Adjustable 5,5 mm

- 1  
Rod latch systems
- 2  
Quarter-turns
- 3  
Hinges
- 4  
Sealing profiles
- 5  
Miscellaneous
- 6  
Stainless

## CONCEALED HINGE - 120° OPENING ANGLE

Concealed hinge for mounting inside externally mounted doors. The hinge can be adjusted 5,5 mm vertically. Universal left and right mounting. Opening angle 120°. Weld-on and screw mounting. Supplied with E-clip.

CONCEALED HINGE - 120° OPENING ANGLE			
P/N	Material	Door part	Frame part
312109	Steel	Weld-On *	Screw

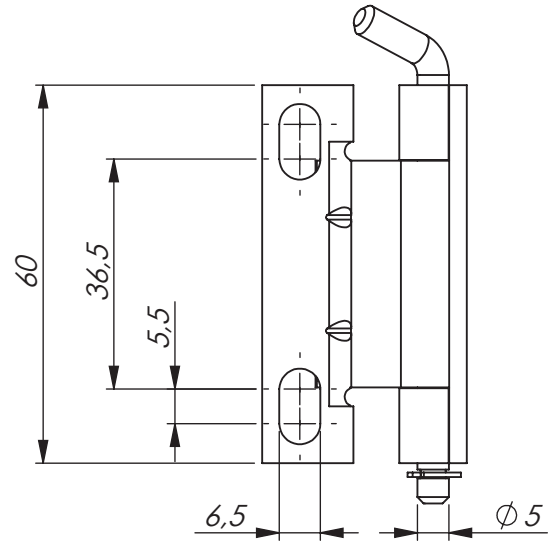
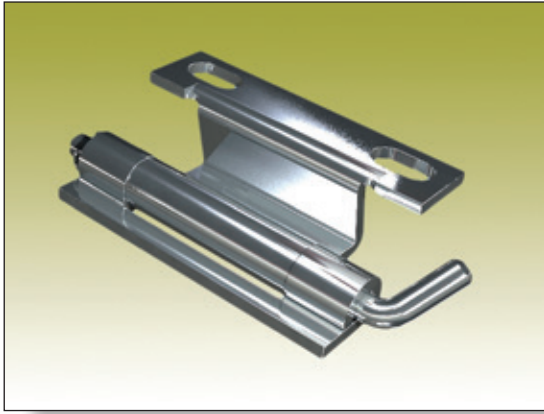
Stainless version: Page 6-320.

### MATERIAL:

Frame part, pin and E-clip: Steel, zinc plated.

Door part: Steel, unplated.

\* Unplated



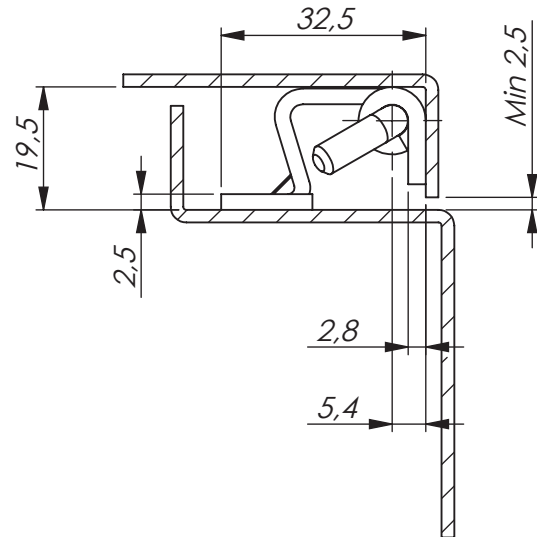
Opening angle



Universal LH / RH



Adjustable 5,5 mm



## ADJUSTABLE CONCEALED HINGE - 120° OPENING ANGLE

Concealed hinge for mounting inside externally mounted doors. Adjustable 5,5 mm vertically. Universal left and right mounting. Opening angle 120°. Weld-on and screw mounting. Supplied with E-clip.

Stainless version: Page 6-330.

### MATERIAL:

Frame part, pin and E-clip: Steel, zinc plated.

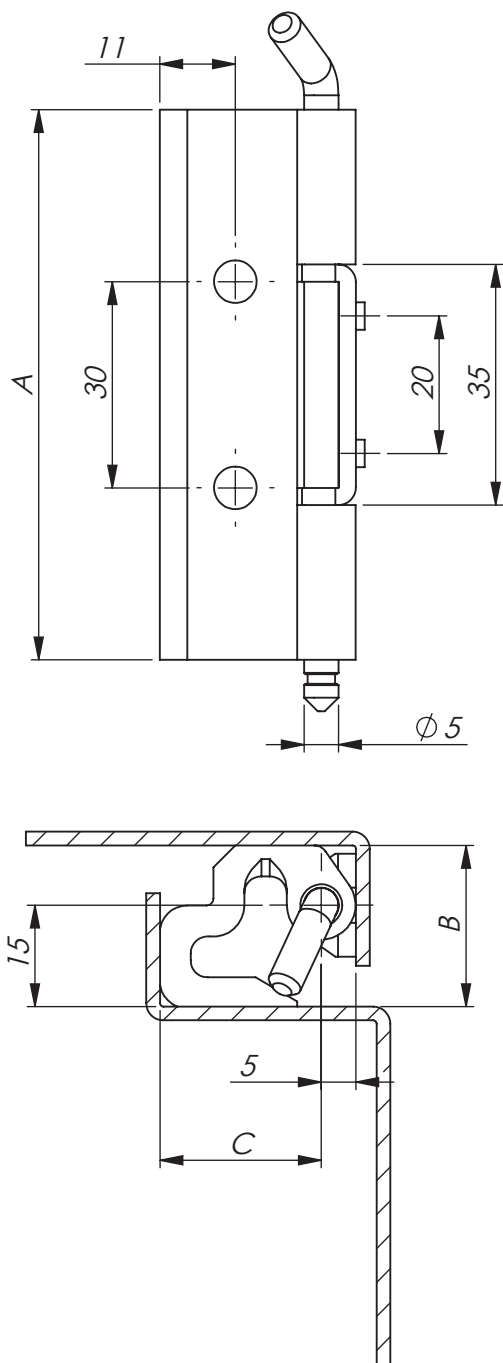
Door part: Steel, unplated.

\* Unplated.

### ADJUSTABLE CONCEALED HINGE - 120° OPENING ANGLE

P/N	Material	Door part	Frame part
312111	Steel	Weld-On *	Screw

1 Rod latch systems  
2 Quarter-turns  
3 Hinges  
4 Sealing profiles  
5 Miscellaneous  
6 Stainless



Opening angle



Universal LH / RH

- 1  
Rod latch systems
- 2  
Quarter-turns
- 3  
Hinges
- 4  
Sealing profiles
- 5  
Miscellaneous
- 6  
Stainless

## CONCEALED HINGE - 120° OPENING ANGLE

Concealed hinge for internal mounting.  
Universal left and right mounting. Opening  
angle 120°. Frame part mounted with screws,  
door part provided with warts for press welding.

E-clip to be ordered separately.

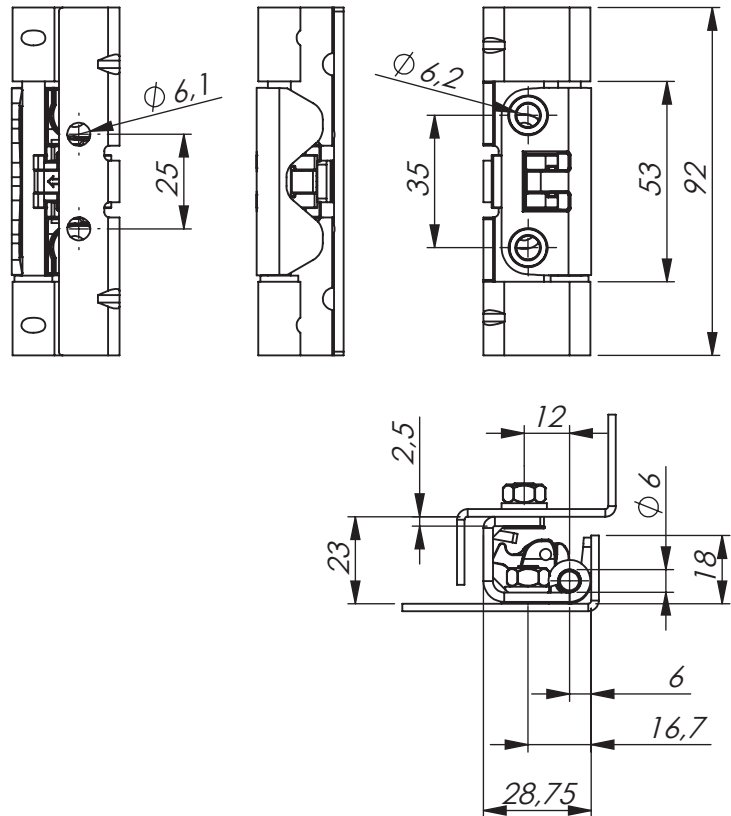
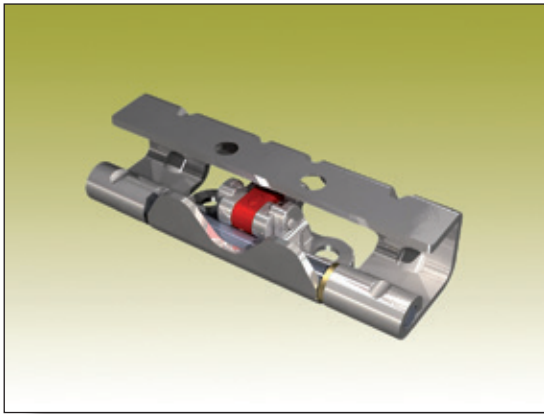
### MATERIAL:

Frame part: Zinc die-cast, zinc plated.  
Door part and pin: Stainless steel (304).  
E-clip: Acid-proof stainless steel (316).

CONCEALED HINGE - 120° OPENING ANGLE				
P/N	Description	A	B	C
311115	Concealed hinge	65	25	24
311116	Concealed hinge	80	24	29
069093	E-clip	-	-	-



- 1 Rod latch systems
- 2 Quarter-turns
- 3 Hinges
- 4 Sealing profiles
- 5 Miscellaneous
- 6 Stainless



Opening angle



Universal LH / RH



Lift-off

## VISION™ CONCEALED HINGE - 120° OPENING ANGLE WITH CLICK FUNCTION. 25 mm HOLE SPACING

Concealed hinge with a patented function that enables the door part to be engaged to, or separated from, the frame part with a "click". Easy door assembly by placing the door in the frame parts and close. The door part and frame part snap together. Secure the hinge by activating the red safety catch. Screw mounted frame part. The door part is mounted on weld-on studs. Universal right and left mounting. Opening angle 120°.

VISION™ CONCEALED CLICK-HINGE - 25 mm HOLE SPACING	
P/N Standard	P/N Highlander
312121	313021

Vision™ system components: Chapter 1.

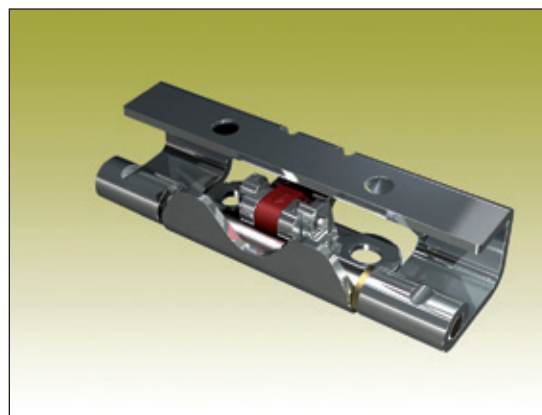
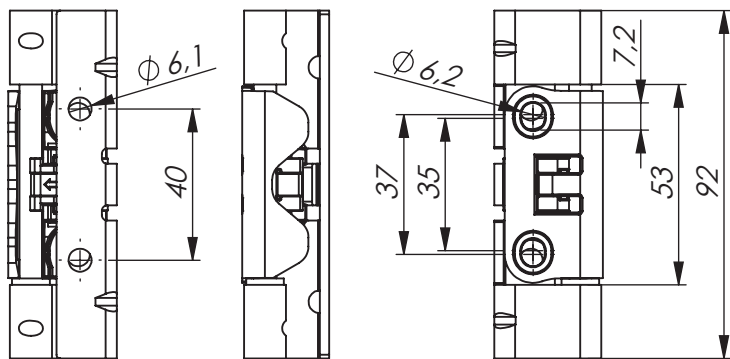
### MATERIAL:

Standard design:  
 Frame part: Steel, zinc plated.  
 Pin: Stainless steel (303).  
 Washer: Brass.  
 Door part: Zinc die-cast, zinc plated.  
 Red safety catch: Glass fiber reinforced polyamide (PA6), red.

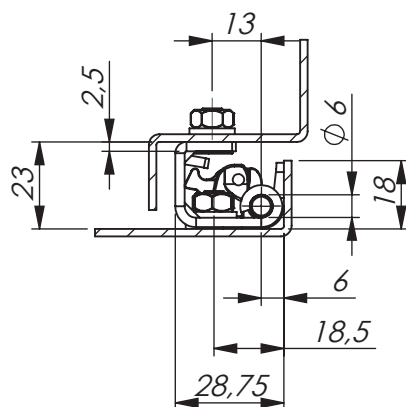
### Highlander design:

Frame part and pin: Stainless steel (303).  
 Washer: Brass.  
 Door part: Zinc die-cast, special surface treatment \*.  
 Red safety catch: Glass fiber reinforced polyamide (PA6), red.

\* 30 day salt-spray test according to ISO 9227, equivalent to ASTM B 117.



**VISION™**



120° Opening angle



Universal LH / RH



Lift-off

1 Rod latch systems

2 Quarter-turns

3 Hinges

4 Sealing profiles

5 Miscellaneous

6 Stainless

## VISION™ CONCEALED HINGE - 120° OPENING ANGLE WITH CLICK FUNCTION. 40 mm HOLE SPACING

Concealed hinge with a patented function that enables the door part to be engaged to, or separated from, the frame part with a "click". Easy door assembly by placing the door in the frame parts and close. The door part and frame part snap together. Secure the hinge by activating the red safety catch. Screw mounted frame part. The door part is mounted on weld-on studs. Universal right and left mounting. Opening angle 120°.

### VISION™ CONCEALED CLICK-HINGE - 40 mm HOLE SPACING

P/N Standard	P/N Highlander
311117	311417

Vision™ system components: Chapter 1.

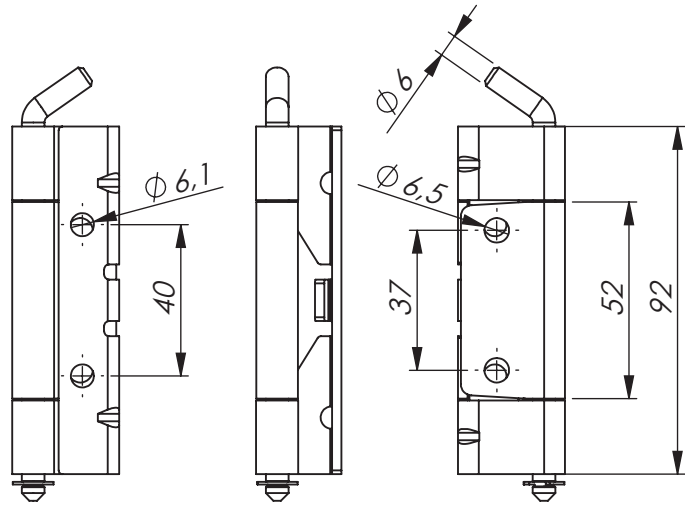
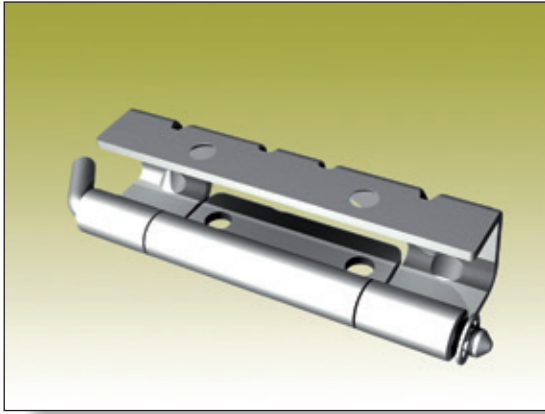
#### MATERIAL:

Standard design:  
Frame part: Steel, zinc plated.  
Pin: Stainless steel (303).  
Washer: Brass.  
Door part: Zinc die-cast, zinc plated.  
Red safety catch: Glass fiber reinforced polyamide (PA6), red.

#### Highlander design:

Frame part and pin: Stainless steel (303).  
Washer: Brass.  
Door part: Zinc die-cast, special surface treatment \*.  
Red safety catch: Glass fiber reinforced polyamide (PA6), red.

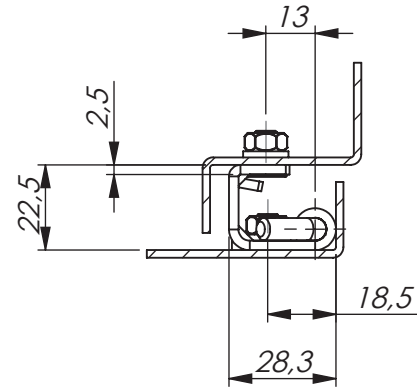
\* 30 day salt-spray test according to ISO 9227, equivalent to ASTM B 117.



Opening angle



Universal LH / RH



## CONCEALED HINGE - 120° OPENING ANGLE

Screw mounted frame part, door part mounted on weld-on studs.

Universal right and left mounting. Opening angle 120°. Supplied with E-clip.

Vision™ system components: Chapter 1.

### MATERIAL:

Steel, zinc plated.

### CONCEALED HINGE - 120° OPENING ANGLE

P/N	Description
312119	Concealed hinge

1 Rod latch systems  
2 Quarter-turns  
3 Hinges  
4 Sealing profiles  
5 Miscellaneous  
6 Stainless